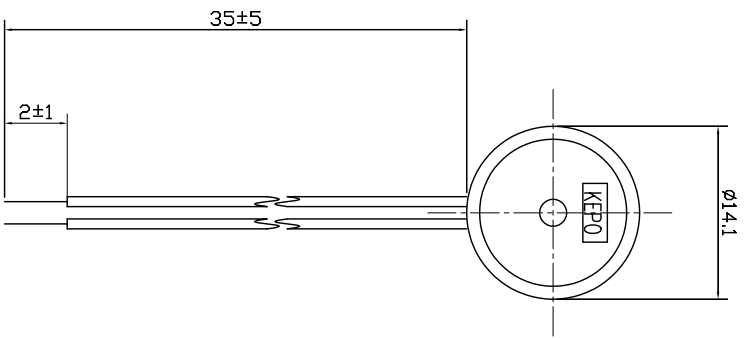
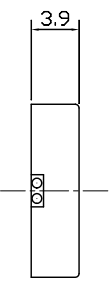


SPECIFICATION

- 1. Rated Voltage12Vp-p Square Wave
- 2. Max. Allowable Voltage25Vp-p Square Wave
- 3. Max. Rated Current2mA at 4.0KHz/12Vp-p Square Wave
- 4. Resonant Frequency4.0±0.5KHz
- 5. Min. Sound Pressure Level.....75dB at 4.0KHz/12Vp-p Square Wave/10cm
- 6. Capacitance at 120Hz15000pF±30%
- 7. Case MaterialABS
- 8. Operating Temperature-20 ~ +60 °C
- 9. Store Temperature-30 ~ +70 °C
- 10. Weight1.3g



No.	DESCRIPTION	APPROVED	DATE	KEPO NINGBO KEEP IMPROVING ELECTRONIC CO.,LTD http://www.chinaacoustic.com
TOLERANCES UNLESS NOTED OTHERWISE		APPROVALS	DATE	
XX ±	mm	DRAWN		
XXX ±	mm	CHECKED		UNIT
90° ANGLES ±°		APPROVED		mm
FIRST ANGLE PROJECTION			03.02.14	DWG NO.
				OEM84
				SHEET
				VER. 1.0