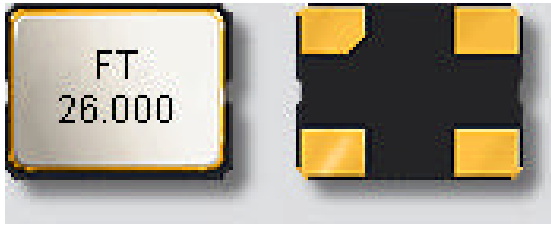


SMD QUARTZ CRYSTAL RESONATOR
石英晶体谐振器

4 Pad Version 2.5×2.0 mm

- ± 10 ppm type available
- Excellent Reliability Performance
- EMI shielding possible by grounded lid
- Reflow soldering temperature: 260 max
- Ceramic Seam Weld package



RoHS compliant

PARAMETERS
技术参数

PARAMETERS	参数	SPECIFICATION 规格
Frequency Range	频率范围	16 ~ 50MHz
Operation Mode	振动模式	Fundamental
Loading Capacitance	负载电容	9pF Std. 8 to 32pF Series available
Drive Level	激励电平	10 μ W (300 μ W Max)
Frequency Tolerance	频率偏差	± 10ppm ~ ±30ppm (at 25)
Equivalent Resistance	谐振电阻	80 Max
Frequency Stability	频率稳定性	±5ppm ~ ±50ppm
Operating Temp. Range:	工作温度范围	-10 ~ +60 to -40 ~ +85
Storage Temp. Range:	储存温度范围	-40 ~ +85

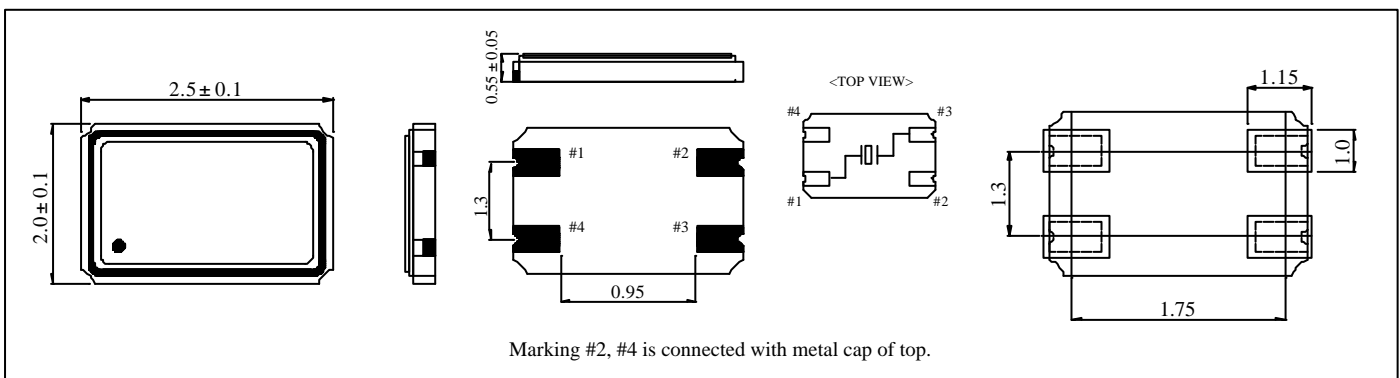
All specification subject change without notice. 规格变化，恕不另行通知。

FREQUENCY STABILITY VS. TEMPERATURE 频率温度特性
ESR (SERIES RESISTANCE RS)

Operation Temperature Range	Frequency Stability					
	±5ppm	±10ppm	±15ppm	±20ppm	±30ppm	±50ppm
-10 ~ +60						
-20 ~ +70						
-40 ~ +85						

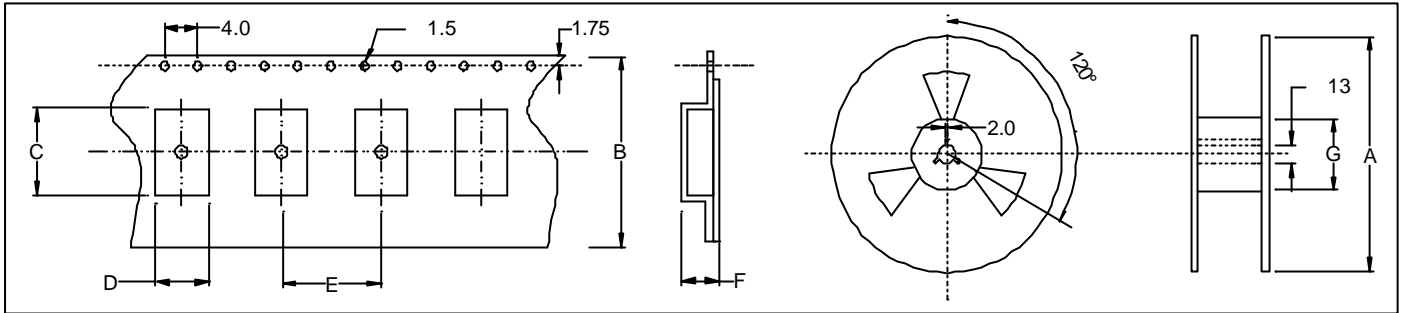
Frequency	Vib. Mode	ESR
16-21.999MHz	AT CUT/FUND.	800(MAX)
22-24.999MHz	AT CUT/FUND.	700(MAX)
25-29.999MHz	AT CUT/FUND.	600(MAX)
30-50.000MHz	AT CUT/FUND.	500(MAX)

standard available

DIMENSIONS & LAND PATTERN LAYOUT (Unit: mm) 外形尺寸

PART NUMBER GUIDE 部件号示例

e.g. FTX16.000M12SM2S (*SM2S=2.5×2.0 SMD S-SEAM TYPE)

FT	Quartz Crystal Resonator 石英晶体谐振器	Frequency 频率	Load Capacitance 负载电容	Package 盒型
	X	16.000MHz	12	SM2S

TAPING SPECIFICATION (Unit: mm) 编带规格


	A	B	C	D	E	F	G
SMD2520	178 ± 2.0	8.0 ± 0.3	2.70 ± 0.05	2.25 ± 0.05	4.0 ± 0.1	0.65 ± 0.05	60.5 ± 1.0
3000 pcs per reel							

REFLOW SOLDERING PROFILE 回流焊特性
